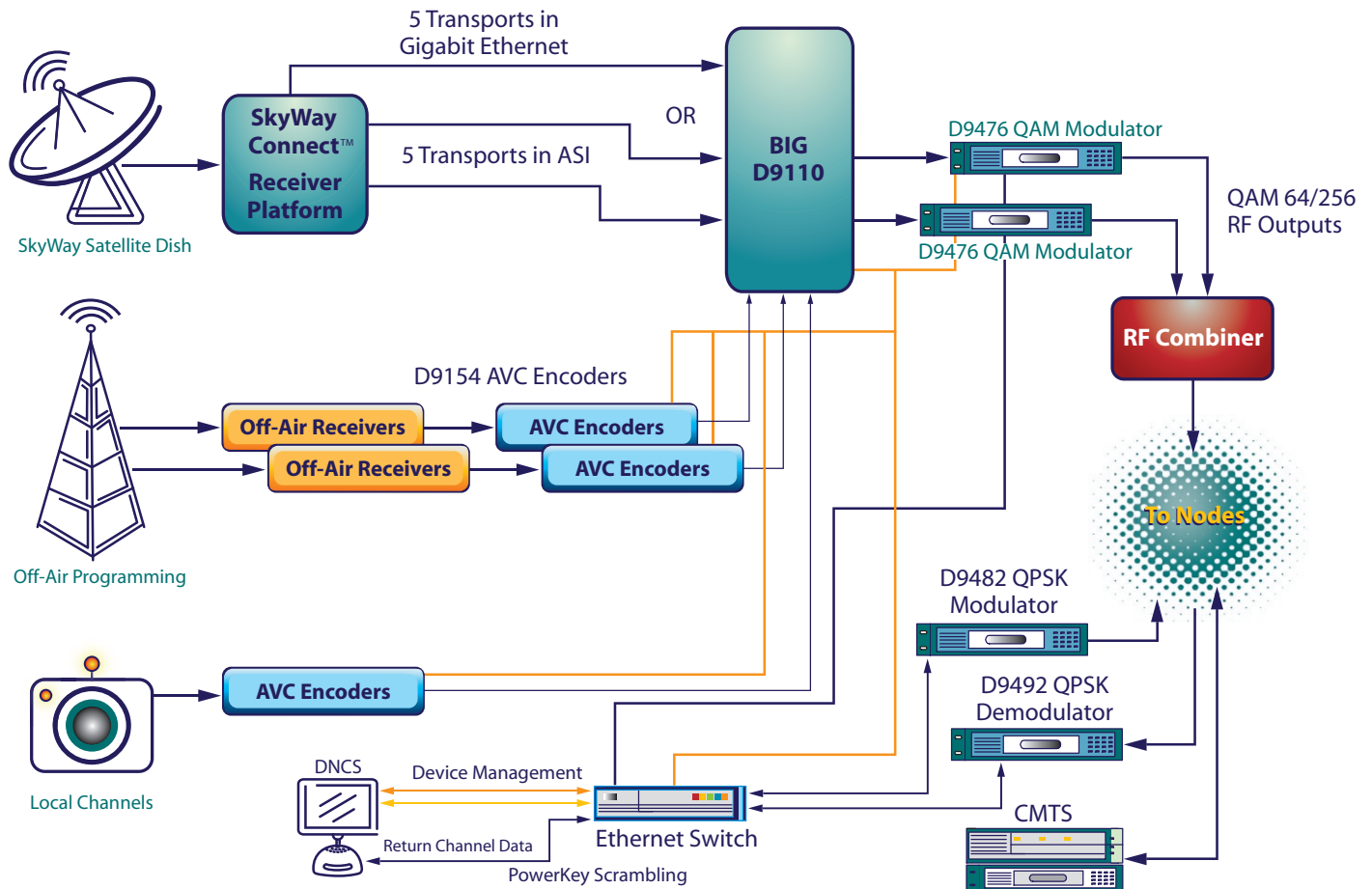


Common SkyWay Connect Configuration



The Skyway Connect system comprises of a platform that would utilize a single C-Band Dish (3.7 meter in many cases) to collect the signal from the sole satellite. This collection of the co-located transponders would deliver all of the 200 Standard Definition (SD) Channels of programming along with the 20 High Definition (HD) Channels of programming. The platform would then filter and pass through the appropriate programming for the operator based on the operators needs. There are two ways in which the the programing can be sent from this point on.

In the first mode an operator with an existing and certified Conditional Access Subsystem (CAS) and with a certified Digital Rights Management (DRM) system would be able to de-encrypt the incoming SD and HD channels at the platform and pass the channels in a "Clear" format into their CAS/DRM subsystem for processing and subsequent distribution. This provides existing digital operations and economical front-end aggregation of programing and the ability to leverage their current facility.

The second mode, in many cases the operator is not able to afford the CAS/DRM subsystems or is just entering the digital programming market and needs a solution that allows for a ramp up as subscribers are added to the digital tiers. The Skyway Connect solution allows for operators in this case to utilize this same platform but with an addition of a middleware and CAS/DRM subsystem server that is maintained and controlled by Skyway Connect.